

# Connectors

## 88210.1000

Innovative wood connection systems for highest requirements.



## Connectors HVP with uplift protection

# HVP connector 88210.1000

Optimal distances to the edges and variable screws length ensure accuracy of fit for each timber section.

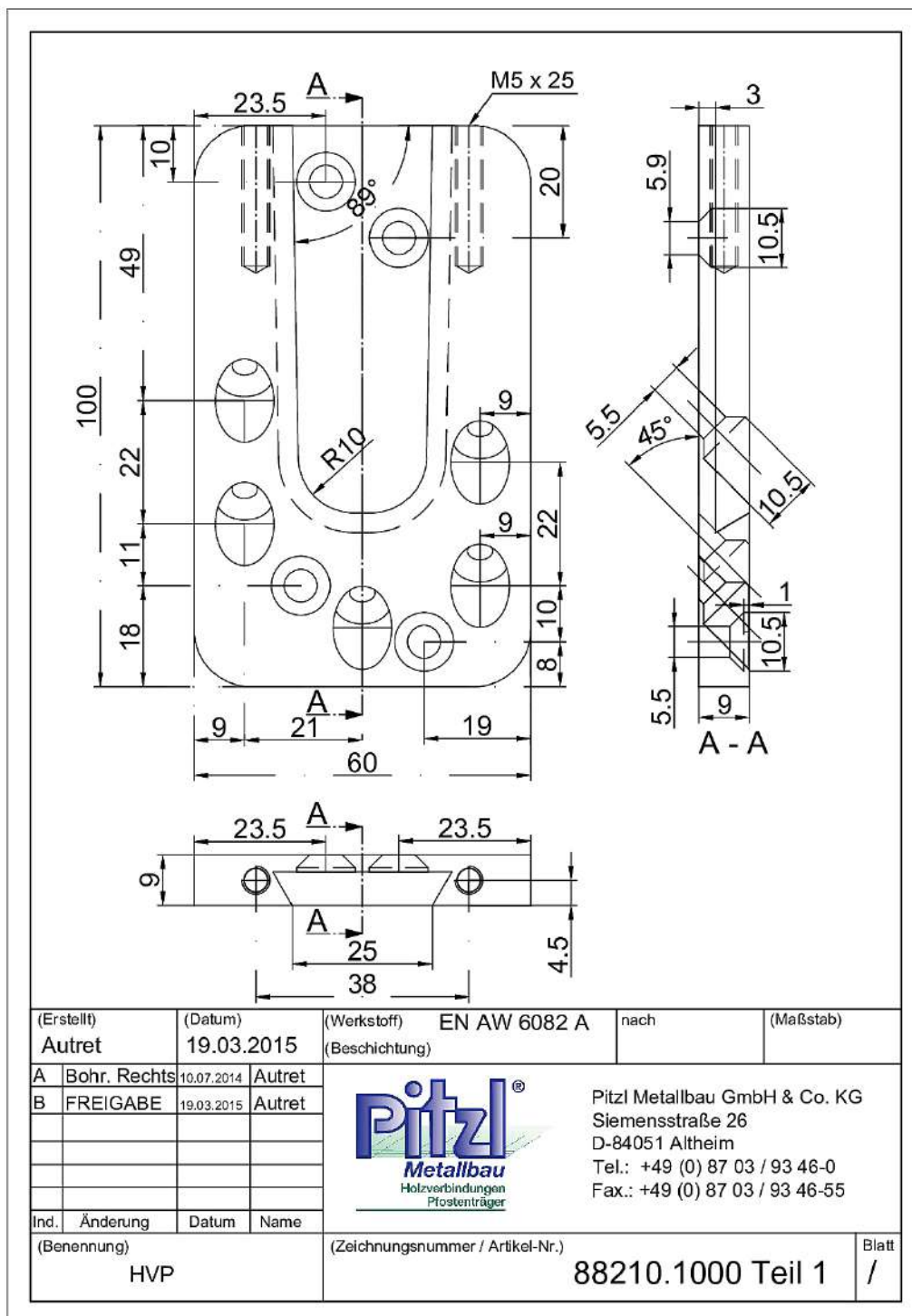


Dimensions w x h x d (mm)	60 x 100 x 12
Number of screws	18
Screws size	Ø 5 x 60 - 100
Minimal timber section with screws Ø 5 x 60 (mm) Header	70 x 120
Joist	80 x 120
Characteristic load capacity* Ø 5 x 60	19,81
Ø 5 x 100	32,63
Packing unit	10
CE	*

\* F<sub>2,Rk</sub> (kN) for GL24h with fully threaded screws: Ø 4.5 x 50 with effective thread length of 45 mm and Ø 4.5 x 80 with effective thread length of 74 mm. For other screws and thread lengths or wood based materials: cf. design manual

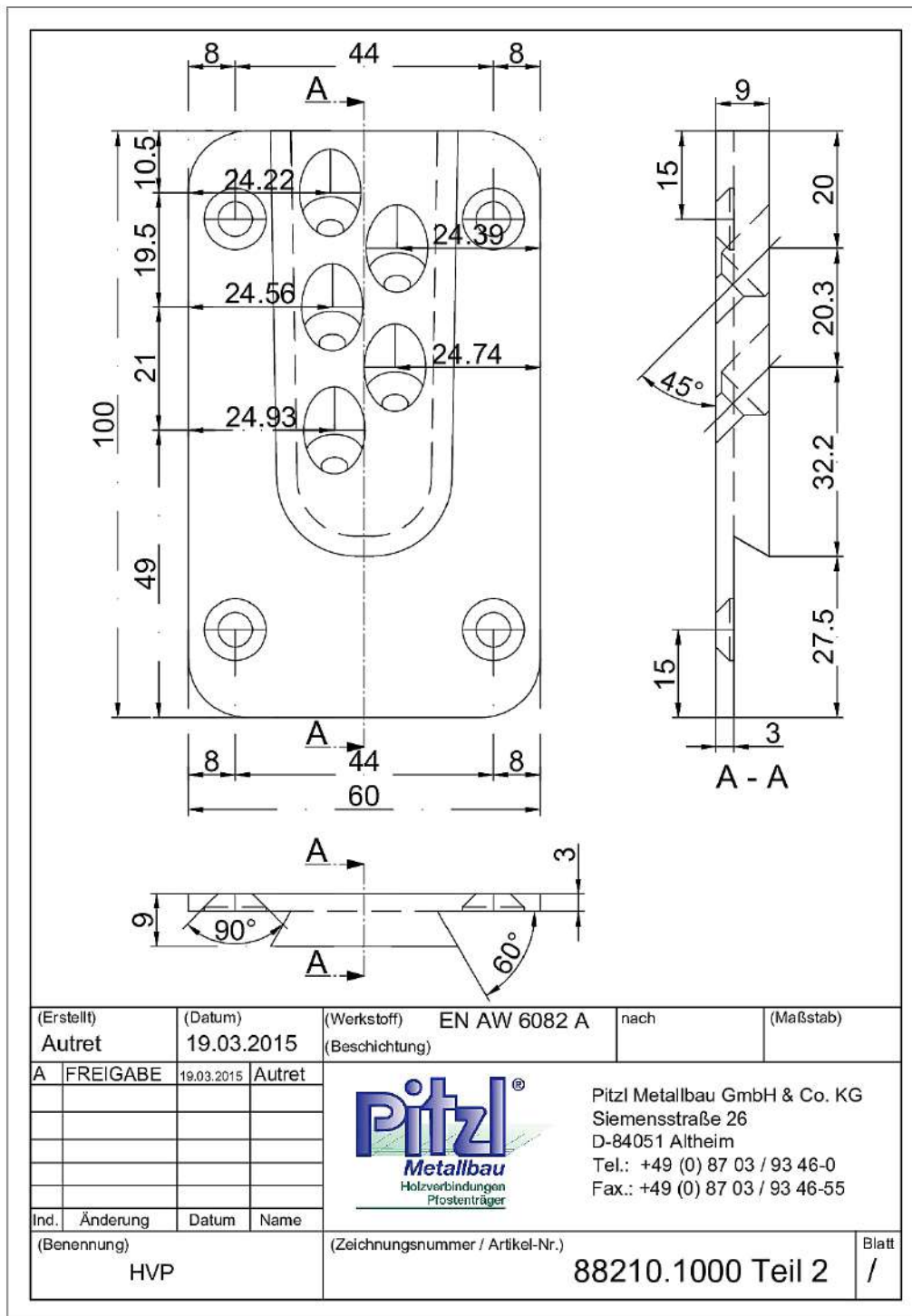
# Connectors HVP with uplift protection

## HVP connector 88210.1000



# Connectors HVP with uplift protection

## HVP connector 88210.1000



## Connectors HVP with uplift protection

# HVP connector 88210.1000

### Static values

Effective thread length ( $\ell_{ef}$ )		Minimal section (mm)		Characteristic load capacity $R_k$ (kN)							
				Solid wood C24 ( $\rho_k = 350 \text{ kg/m}^3$ )				Glued-laminated timber GL24h ( $\rho_k = 385 \text{ kg/m}^3$ )			
Screws	$\ell_{ef}$ (mm)	H	J	$F_{2,Rk}$	$F_{3,Rk}$	$F_{4,Rk}$	$F_{1,Rk}$	$F_{2,Rk}$	$F_{3,Rk}$	$F_{4,Rk}$	$F_{1,Rk}$
$\varnothing 5,0 \times 60$	54	70 x 120	80 x 120	18,36	13,38	13,38	15,23	19,61	13,94	13,94	16,27
$\varnothing 5,0 \times 80$	74	90 x 150	80 x 150	24,38			20,00	26,04			20,00
$\varnothing 5,0 \times 100$	94	110 x 180	80 x 180	30,24			20,00	32,29			20,00

Further static values can be found in our design manual at [www.pitzl-connectors.com/en/downloads](http://www.pitzl-connectors.com/en/downloads)

### Accessories

Item no.	Description
99211.5060	Countersunk screw 5 x 60 mm
99211.5080	Countersunk screw 5 x 80 mm
99211.5100	Countersunk screw 5 x 100 mm
99111.5060	Countersunk screws V2A 5 x 60 mm
99111.5070	Countersunk screw V2A 5 x 70 mm
58000.0000	Milling and assembly template for connectors 88004 - 88322
58399.0000	Milling unit composed of Milling bit, milling template and hand overhead router
58396.0000	Collet holder
58396.0012	Collet $\varnothing 12 \text{ mm}$

Pitzl Metallbau GmbH & Co.KG  
Siemensstraße 26  
D - 84051 Altheim

Phone: +49 8703 9346-0  
Fax: +49 8703 9346-55  
E-mail: [info@pitzl-connectors.com](mailto:info@pitzl-connectors.com)

Product information and terms and conditions at [www.pitzl-connectors.com](http://www.pitzl-connectors.com)

## Connectors HVP with uplift protection

# HVP connector 88210.1000

50934.2000

Grooving cutter  
Ø 20 mm